

Variety, economy and efficiency

A complete range of filters for domestic swimming-pools suitable for all demands and applications.



FIBERPOOL

Bobbin wound polyester sand filters

Industrial quality and performance

Available diameters: 500mm, 600mm, 750mm, 900mm, 1050mm and 1200mm

Laminated polyester filters TRIUNFO series

Excellent design and shining finish

Available diameters: 520mm, 640mm, 760mm and 900mm

Laminated polyester filters COPA series

High performance filters

Available diameters: 520mm, 640mm and 800mm

Polypropylene filters

Excellent performance at an affordable price.

Available diameters: 400mm, 500mm and 600mm.

Complete underground packaged filtration unit housing a domestic filter, a pump and an electronic pump control panel

These housings are available with filters up to Ø900mm.

FIBERPOOL INTERNACIONAL, S. L.

warranty **2** years

Cascais Piscinas e Spas

www.MergulhoSalgado.com

Telm. 962444011



FIBERPOOL

Cascais Piscinas e Spas

www.
Mergulho Salgado
.com

Telm. 962444011



Filters for
domestic
swimming
pools

Fiberpool Internacional S. L.,

manufactures domestic bobbin wound polyester sand filters using the same technology as for the production of large industrial bobbin wound sand filters that results in a domestic filter with high efficiency and reliability compatible with our large commercial filters.

To complement our domestic range of bobbin wound polyester filters, we also manufacture laminated polyester filters in an attractive new design and at a very competitive price / quality relation. We also manufacture polypropylene filters at an affordable price. All these filters include a pressure gauge and a 6 way side valve with filter connection.

We also supply technical housings for filtration equipment, manufactured in polyester with fibreglass reinforced lid.

They are fully equipped with filter, pump and ball valves set, already assembled for its connection.

An electronic pump control panel is also attached.



Telm. 962444011



FIBERPOOL

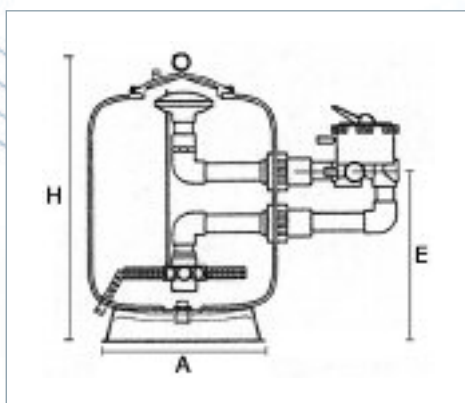
Domestic bobbin wound polyester sand filters



The bobbin wound polyester filters are manufactured according to the same technical concepts as for the production of the industrial bobbin wound sand filters. The result is a domestic filter of great quality and resistance. These filters are supplied with a manual or automatic 6 way side valve with filter connection, pressure gauge and a large size lid in polypropylene with air bleed system.

Maximum operating pressure is 2,5 bars. Filters with sizes of Ø500mm and Ø600mm are manufactured with 1 1/2" connection, sizes of Ø750mm and Ø900mm with 2" connections, size Ø1050mm with 2" or 3" connection and size Ø1200mm with 3" connection or with Ø90mm flange.

Ø(mm)	500	600	750	900	1050	1050	1200
Connection (mm)	1 1/2"	1 1/2"	2"	2"	2"	3"	3"/90
Flow (m³/h)	9,5	13,5	21	28	32	43	56
Silex Kg	90	125	230	420	575	575	1.125
Ø	500	600	750	900	1050	1050	1.200
H	785	865	980	1050	1200	1200	1.450
A	450	450	600	740	960	960	1.090
E	462	507	537	576	741	741	880
Volume (m³)	0,225	0,334	0,602	0,994	1,390	1,390	1,600
Weight (Kg)	22	24	29	64	120	125	150



Bobbin wound polyester sand filters



Domestic laminated polyester sand filters



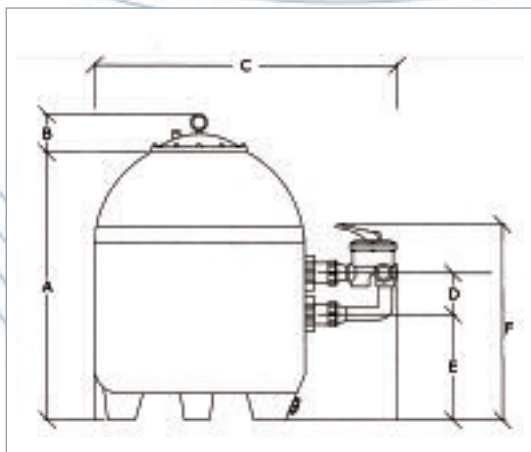
TRIUNFO

Ø (mm)	Conec. (mm)	Flow (m³/h)	Silex Kg	A	B	C	D	E	F	Vol. (m³)	Weight (Kg)
520	1 1/2"	10	100	735	115	800	125	320	594	0,242	17
640	1 1/2"	15	150	810	115	920	125	320	594	0,366	23
760	2"	22	225	935	115	1.060	141	380	521	0,608	34
900	2"	30	325	945	115	1.200	141	380	521	0,902	45

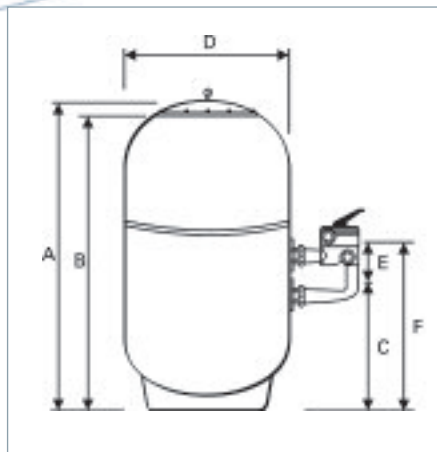
COPA

Ø(mm)	Conec. (mm)	Flow (m³/h)	Silex Kg	A	B	C	E	F	Vol. (m³)	Weight (Kg)
520	1 1/2"	10	130	980	920	400	125	525	0,307	22
640	1 1/2"	15	255	1.070	1.010	450	125	575	0,500	30
800	2"	25	445	1.200	1.140	500	140	640	0,875	38

TRIUNFO



COPA



The laminated polyester filters

are manufactured in two different series: **TRIUNFO** series and **COPA** series, with the main difference being the height of the tank.

TRIUNFO series filters are filters of standardized size. Available in diameters of 520mm, 640mm, 760mm and 900mm.

COPA series filters are high performance filters using sand and anthracite as filter bed for a better filtration efficiency. Available diameters are: 520mm, 640mm and 800mm.

All laminated polyester filters are supplied with a manual or automatic 6 way side valve with filter connection, pressure gauge and a large size lid in polypropylene with air bleed system.

Maximum operating pressure: 2,5 bar



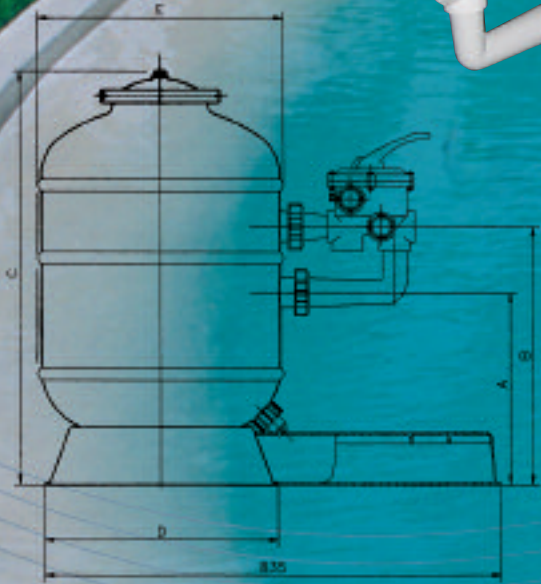
Laminated polyester sand filters

polypropylene sand filters



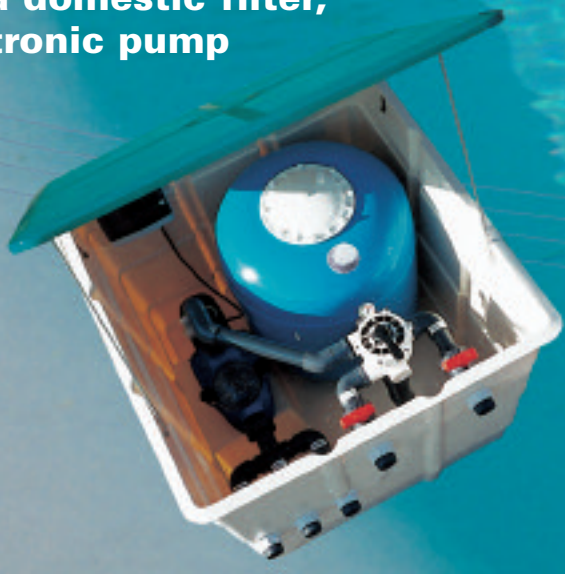
The polypropylene sand filters are mass-produced and provide excellent performance at an affordable price. This type of filters are specially recommended for above ground pools and small size pools.

Available diameters are: 400mm, 500mm and 600mm. These filters are supplied with a manual 6 way side or top valve and pressure gauge. Maximum operating pressure: 1,6 bar. Kits consisting of filter + pump on a base are also available.

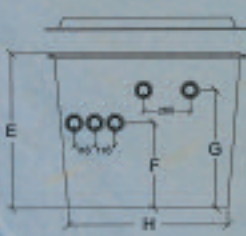
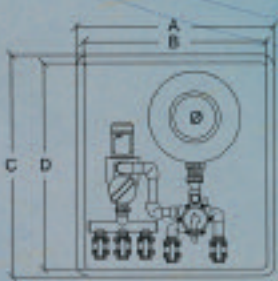


Ø(mm)	Conec. (mm)	Flow (m³/h)	Silex Kg	A	B	C	D	E	Vol. (m³)	Weight (Kg)
400	1 1/2"	6	50	624	684	804	458	400	0,138	8
500	1 1/2"	9,5	90	784	844	964	458	50	0,214	10
600	2"	14	125	868	928	1048	458	600	0,335	13

Complete underground technical filtration housings including a domestic filter, a pump and an electronic pump control panel.



These underground technical filtration housings are manufactured in polyester and reinforced with fibreglass. They can be assembled with any of our domestic filters (except the COPA series filters) up to Ø900mm.



Ø	A	B	C	D	E	F	G
500	1010	750	1100	1000	790	660	903
600	1180	1080	1260	1180	850	670	903

Domestic polypropylene sand filters and complete underground technical filtration housings



FIBERPOOL

Cascais Piscinas e Spas



www.
Mergulho Salgado
.com

Telm. 962444011

And also...

Bobbin wound polyester sand filters for large size installations.

Centrifugal pumps, prefilters and blowers

Electronic control panels

Wall fittings:

Skimmers

Main drains

Cross-current equipment ECC

Underwater lights

Gratings, etc...

PVC Fittings

Valves,

Accessories,

PVC hoses

Cleaning accessories:

Manual and automatic vacuum cleaners

Brushes

Vacuum hoses

Telescopic handles

Leaf skimmers, etc...

External material

Ladders

Showers, etc...

Salt water chlorinators

Automatic covers



Cascais Piscinas e Spas - Mergulho Salgado Piscinas e Spas, Lda
Apartado 2457 EC Cascais 2751-706 Cascais Telem.: 962 444 011 · Tel. / Fax. 21 607 5598
geral@mergulhosalgado.com
www.mergulhosalgado.com www.cascaispiscinasespas.com